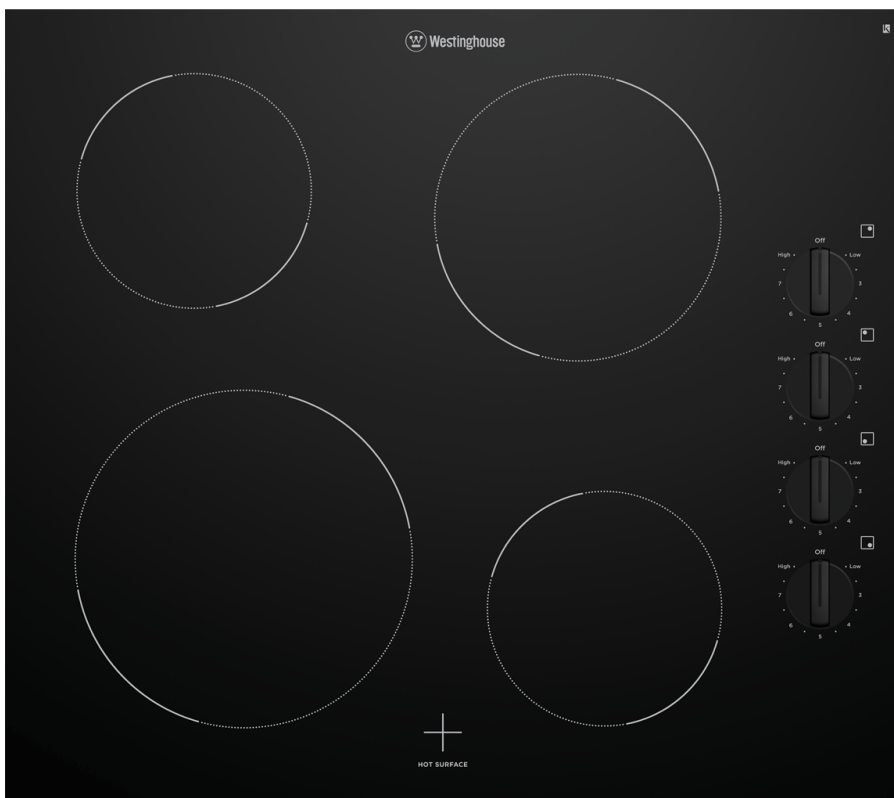


60cm 4 zone ceramic cooktop with residual heat indicator, 9 power levels and easy clean ceramic surface.



Product Details

FEATURES

Residual Heat Indicator

Easy clean ceramic surface

9 power levels

2.3kW powerful zone

Auto thermal cutout safety
switch

BENEFITS

Safety first

Kitchen safety comes before everything else, so our heat indicators show activated hotplates as well as hotplates that are still cooling down.

Easy clean ceramic surface

Not only aesthetically pleasing, the durable glass surface is easy to clean and maintain ensuring your kitchen is always looking at its best.

Specifications

PRODUCT PROFILE

Domestic warranty details (yrs)	2
---------------------------------	---

Cooktop type	ceramic
--------------	---------

Materials/Colour	black ceramic glass
------------------	---------------------

Knob Finish	black
-------------	-------

CONTROLS

Controls of Cooktops	knob
----------------------	------

Position of controls	right hand side
----------------------	-----------------

Indicators/display	residual heat warning lamps
--------------------	-----------------------------

Features of Cooktop	hot surface indicator
---------------------	-----------------------

Readable temperature setting	No
------------------------------	----

LEFT REAR ZONE

DIMENSIONS

Total product height (mm)	46
---------------------------	----

Total product width (mm)	590
--------------------------	-----

Total product depth (mm)	520
--------------------------	-----

Cut out width (mm)	560
--------------------	-----

Cut out depth (mm)	490
--------------------	-----

ELEMENTS/BURNERS

LEFT FRONT ZONE

Left front zone	ceramic
-----------------	---------

Left front Watts	2300
------------------	------

Left front number of cooking zones	1
------------------------------------	---

Left front diameter mm	210
------------------------	-----

RIGHT FRONT ZONE

Left rear zone	ceramic
----------------	---------

Left rear watts	1200
-----------------	------

Left rear number of cooking zones	1
-----------------------------------	---

Left rear diameter mm	140
-----------------------	-----

Right front zone	ceramic
------------------	---------

Right front Watts	1200
-------------------	------

Right front number of cooking zones	1
-------------------------------------	---

Right front diameter mm	140
-------------------------	-----

RIGHT REAR ZONE

Right rear zone	ceramic
-----------------	---------

Right rear watts	1800
------------------	------

Right rear number of cooking zones	1
------------------------------------	---

Right rear diameter mm	180
------------------------	-----

SHIPPING

Shipping Weight (Kg)	9
----------------------	---

Pack Dimensions Height (mm)	108
-----------------------------	-----

Pack Dimension Width (mm)	680
---------------------------	-----

Pack Dimension Depth (mm)	600
---------------------------	-----

ELECTRICAL SPECIFICATIONS

Connected load KW	6.5
-------------------	-----

Type of connection	hardwired
--------------------	-----------

STUFFING QUANTITIES

20ft	540
------	-----

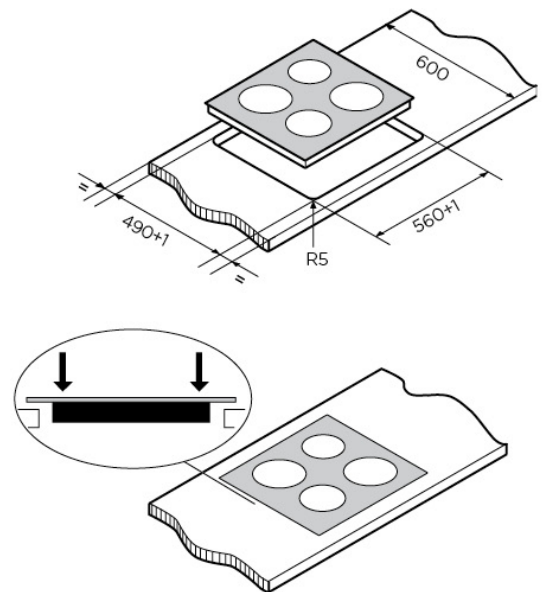
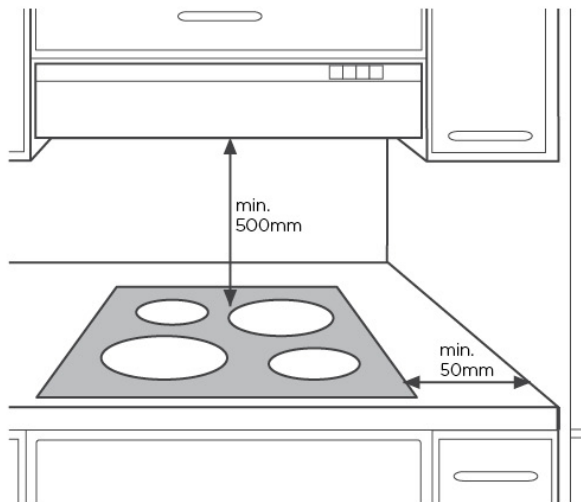
40ft	1140
------	------

40ft HC	1254
---------	------

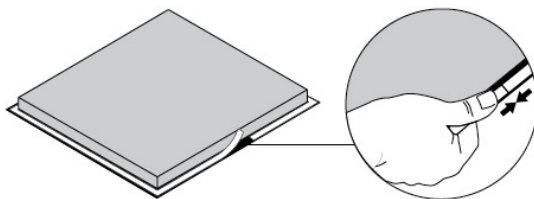
Dimensions

60cm electric cooktops

WHC642BC, WHC642SC, WHC633BD, WHC643BD



NOTE: The clearance must meet or exceed the minimum recommended for both the rangehood and cooktop. Refer to the rangehood installation manual.



 **WARNING**

Surface temperatures of base exceed 95°C, under bench access must be restricted by use of non-combustible barrier on installation

IMPORTANT

These dimensions are a guide only. All measurements are in millimetres (mm). For complete installation instructions, refer to the manual provided with product.

Terms and Conditions

IMPORTANT

This is a guide of product dimensions only. For complete installation instructions, refer to the manual provided with product.

PRODUCT INFORMATION

The descriptors and illustrations in this publication apply to the specific products and models described as at the date of issue. Under our policy of continuous product development, product specifications may change without notice. Prospective purchasers should therefore check with their retailer to ensure this publication correctly describes the products that are being offered for sale. All information supplied is to be used for general reference purposes only and is on the understanding that Electrolux Home Products Pty Ltd (Australia) and Electrolux (NZ) Ltd (New Zealand) will not be liable for any loss, liability or damage of whatever kind arising as a result of reliance on such information. Colours of products illustrated are as close as printing limitations allow. Electrolux will at all times comply with its obligations pursuant to law including Trade Practices (Australian Consumer Law) Act and Regulations.

WARRANTY

This warranty only applies to Appliances purchased and used in Australia or New Zealand and used in normal domestic applications and is in addition to (and does not exclude, restrict, or modify in any way) any non-excludable statutory warranties in Australia or New Zealand. All warranties are subject to the conditions set out in the warranty card accompanying the product when purchased.

ELECTROLUX HOME PRODUCTS AUSTRALIA

telephone: 1300 363 640

fax: 1800 350 067

email: customercare@electrolux.com.au

web: www.electrolux.com.au

ELECTROLUX HOME PRODUCTS NEW ZEALAND

telephone: 09 573 2230

fax: 09 573 2221

email: customercare@electrolux.co.nz

web: www.electrolux.co.nz